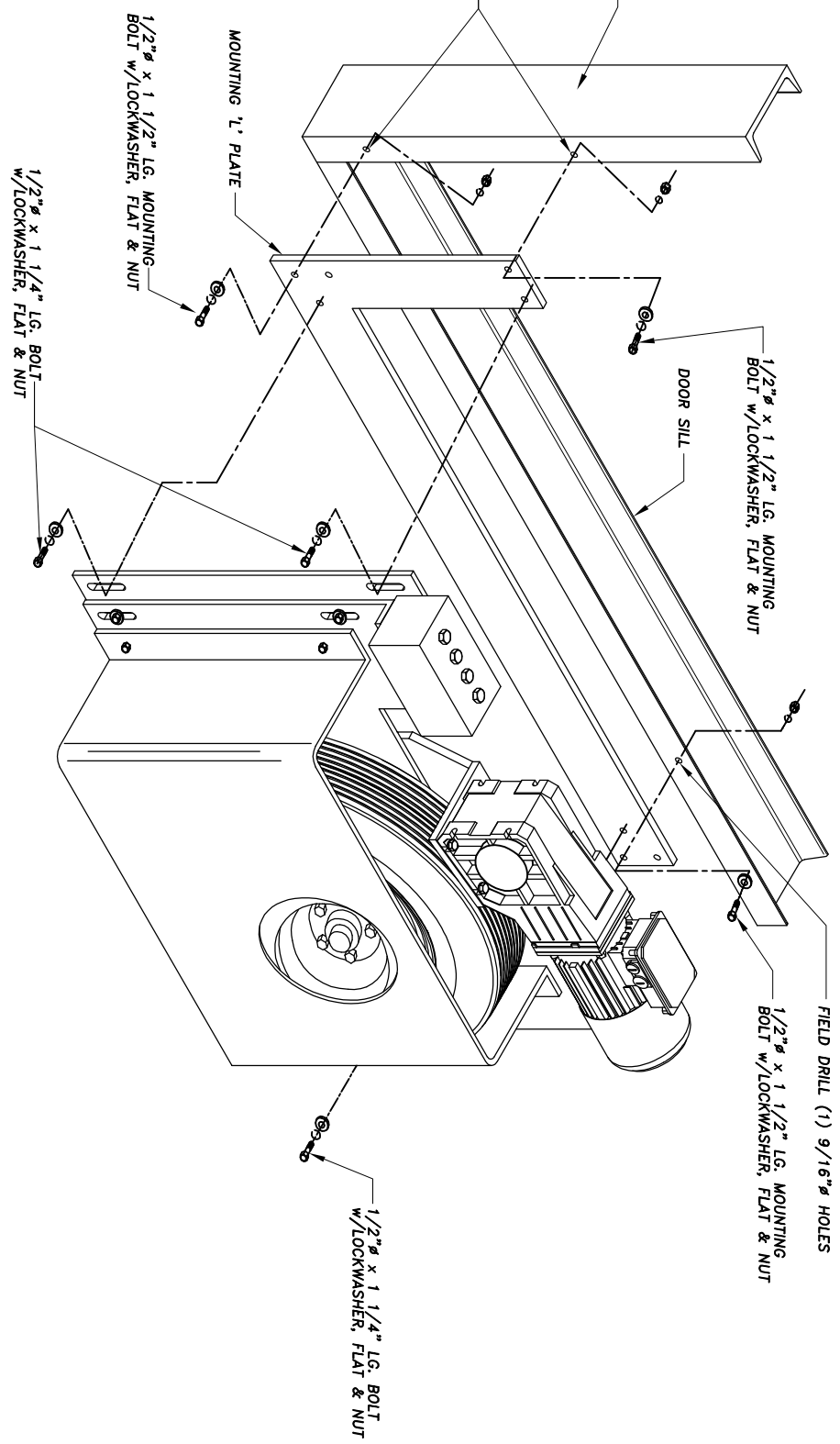


- MOUNTING SEQUENCE
- 1) REMOVE 'L' PLATE FROM OPERATOR
 - 2) CLAMP 'L' PLATE TO DOOR AND DRILL (3) 9/16" HOLES. FASTEN 'L' PLATE TO THE DOOR WITH 1/2" x 1 1/2" LONG HEX BOLTS.
 - 3) RE-ATTACH OPERATOR TO 'L' PLATE WITH 1/2" x 1 1/4" LONG HEX BOLTS.



OPERATOR MOUNTING